



1000 Shaft/Spindle Drive

Typical Applications: Industrial, Marine or Mobile Equipment

(913) 782-1238 (Tel)
 (913) 782-4206 (Fax)
Sales@EskridgeInc.com
www.EskridgeInc.com
 FORM: PS1000_0308
 Page 1 of 6

Performance Ratings

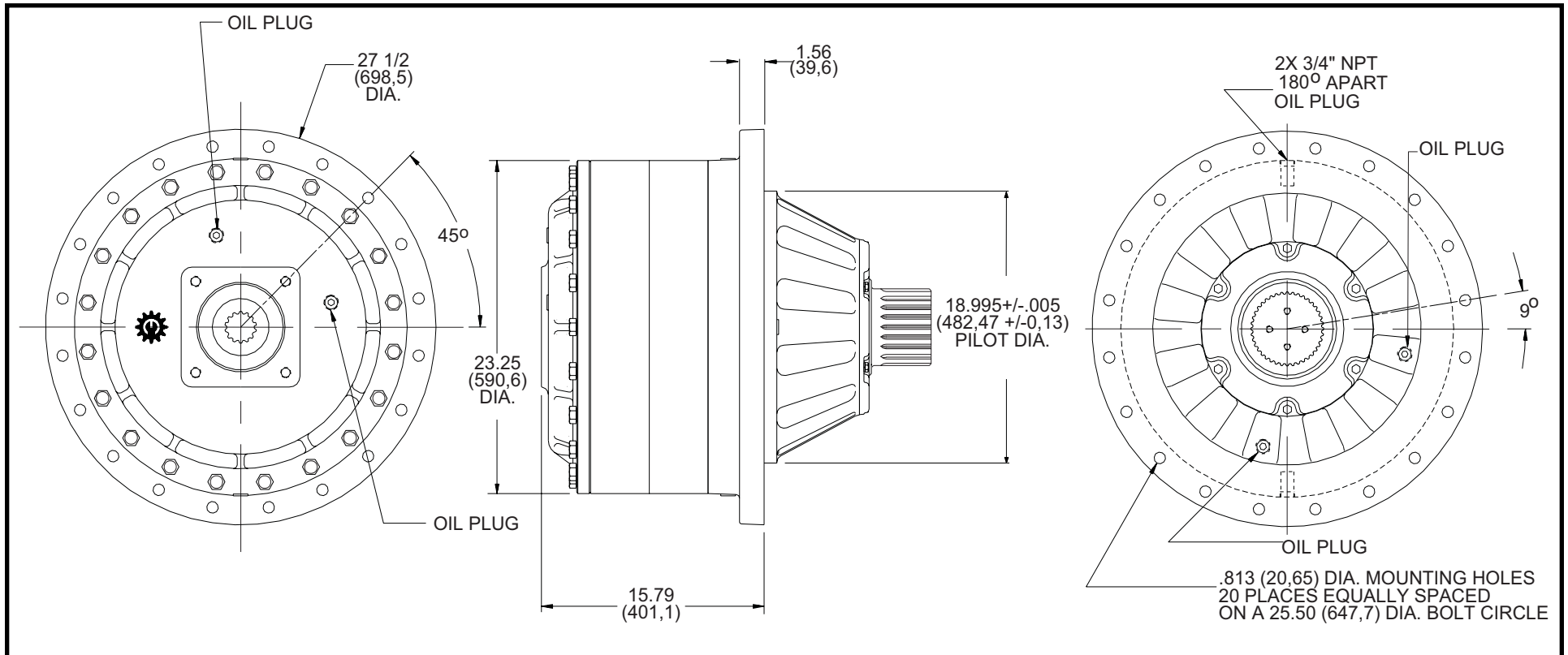
Maximum Intermittent Output Torque	1,000,000 in-lb (113,000 N-m)
Continuous Output Torque	500,000 in-lb (56,500 N-m)
Peak Torque Rating.....	Consult Eskridge
Maximum Input Speed (No Load).....	4,000 RPM

Consult your Eskridge representative to determine ratings for your specific application or configuration.

General Dimensions for Shaft Output Flanged Gear Drive Mounting (ordering option 'A')

Other options may be available. See ordering information on last page or contact your Eskridge representative for more details.

Values are shown as "inches (millimeters)."





ESKRIDGE

1000 Shaft/Spindle Drive

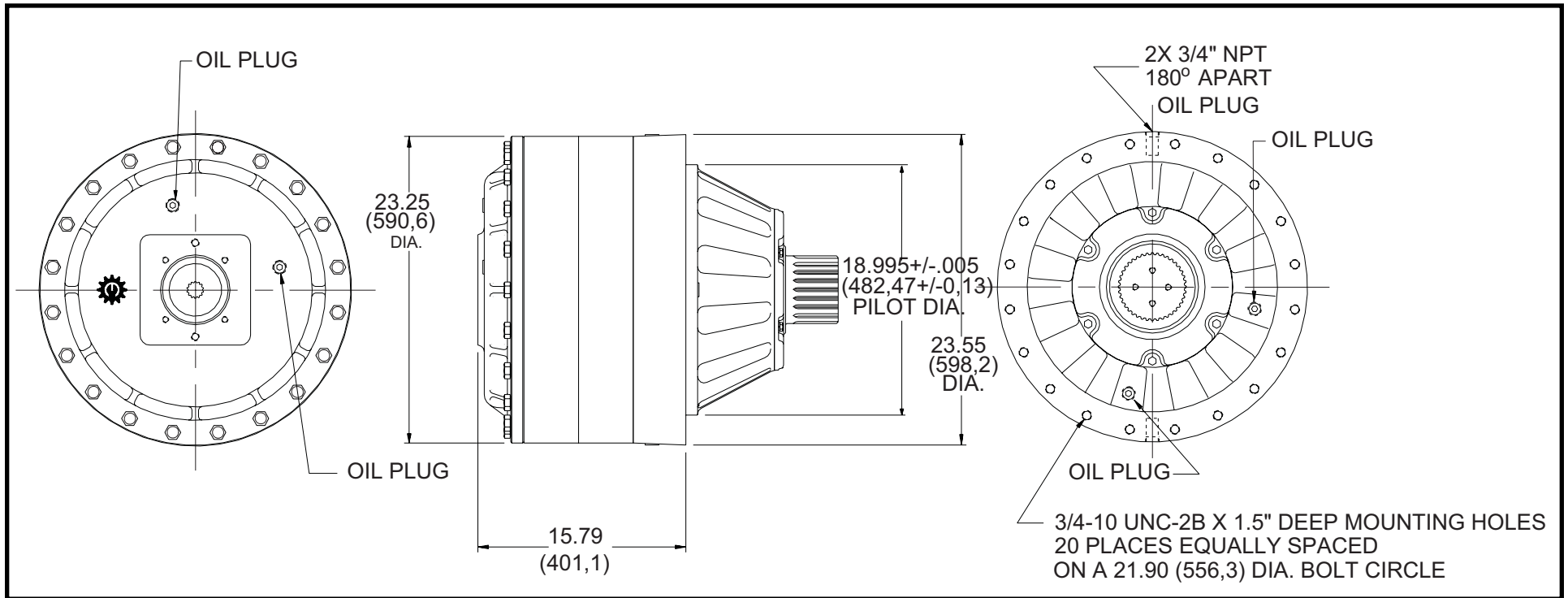
Typical Applications: Industrial, Marine or Mobile Equipment

(913) 782-1238 (Tel)
(913) 782-4206 (Fax)
Sales@EskridgeInc.com
www.EskridgeInc.com
FORM: PS1000_0308
Page 2 of 6

General Dimensions for Shaft Output Flangeless Gear Drive Mounting (ordering option 'F')

Other options may be available. See ordering information on last page or contact your Eskridge representative for more details.

Values are shown as "inches (millimeters)."





1000 Shaft/Spindle Drive

Typical Applications: Industrial, Marine or Mobile Equipment

(913) 782-1238 (Tel)
 (913) 782-4206 (Fax)
Sales@EskridgeInc.com
www.EskridgeInc.com
 FORM: PS1000_0308
 Page 3 of 6

General Dimensions for Spindle Output Flanged (ordering option 'A') and Flangeless (ordering option 'F') Gear Drive Mountings

Other options may be available. See ordering information on last page or contact your Eskridge representative for more details.

Values are shown as "inches (millimeters)."

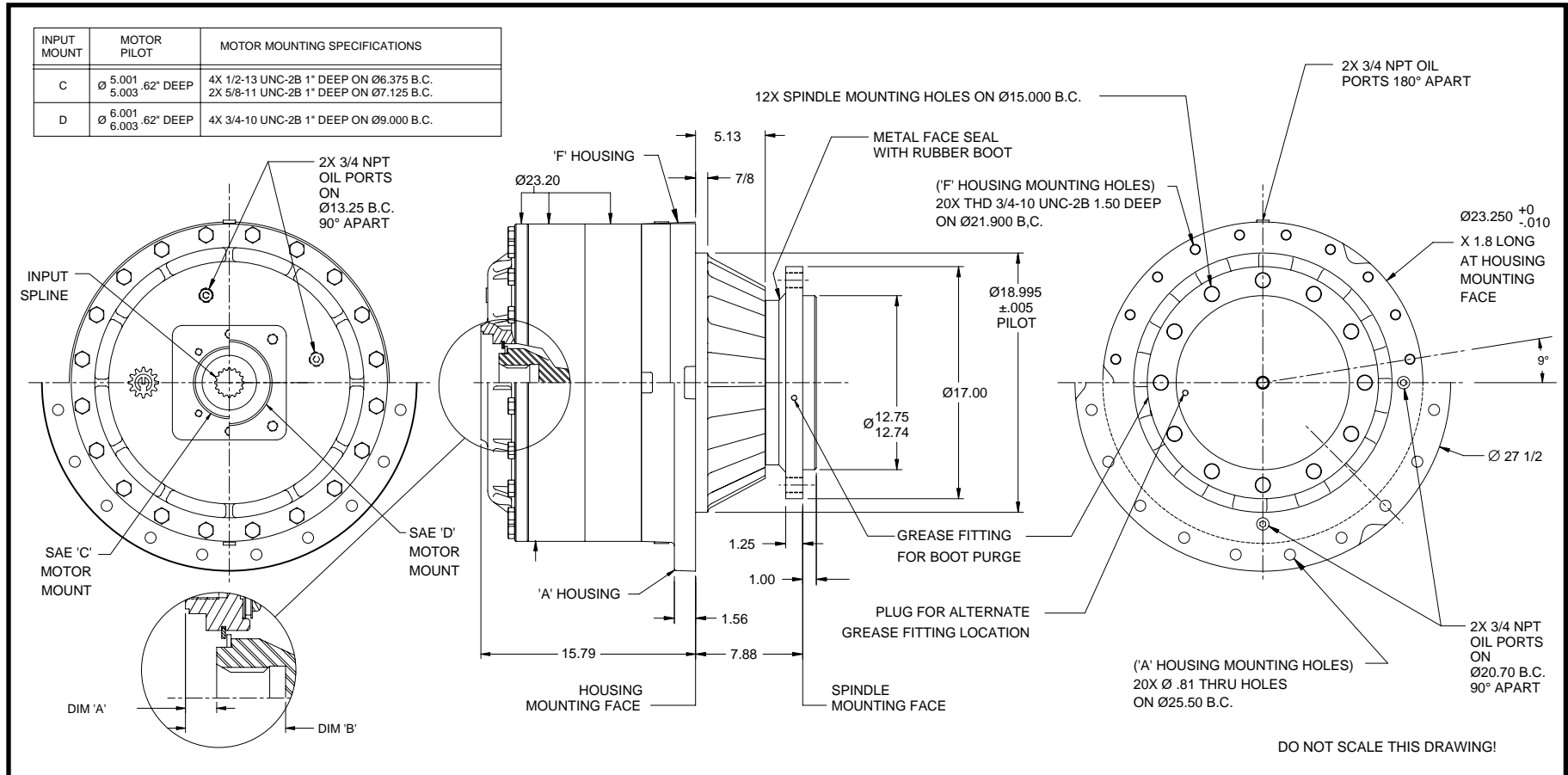
Input Spline Data

Dimension "A"

14 T	17T	16T	13T
.94	.94	1.10	1.10
(23.9)	(23.9)	(27.9)	(27.9)

Dimension "B"

14 T	17T	16T	13T
3.00	3.62	3.62	3.00
(76.2)	(91.5)	(91.5)	(76.2)





1000 Shaft/Spindle Drive

Typical Applications: Industrial, Marine or Mobile Equipment

(913) 782-1238 (Tel)
 (913) 782-4206 (Fax)
Sales@EskridgeInc.com
www.EskridgeInc.com
 FORM: PS1000_0308
 Page 4 of 6

Approximate Unit Weight

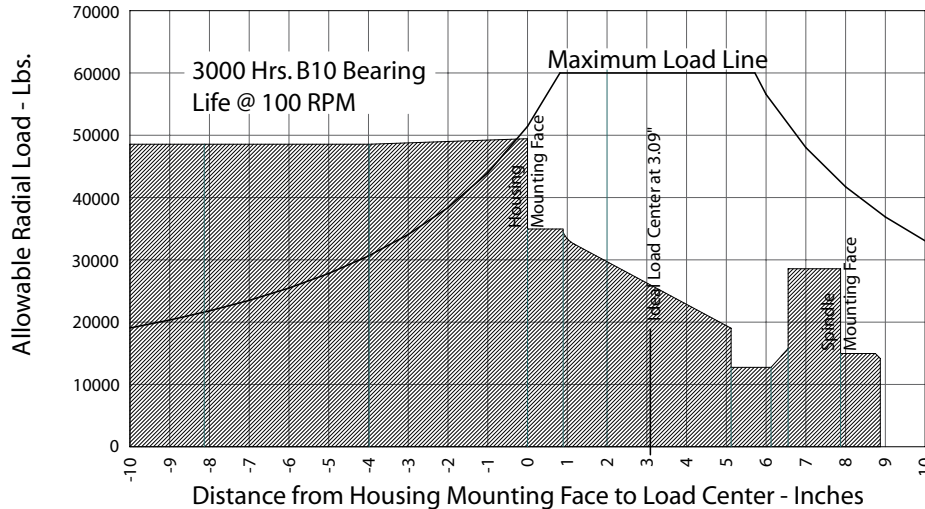
1,350 - 1,425 lbs / 614 - 648 kg

Oil Capacities

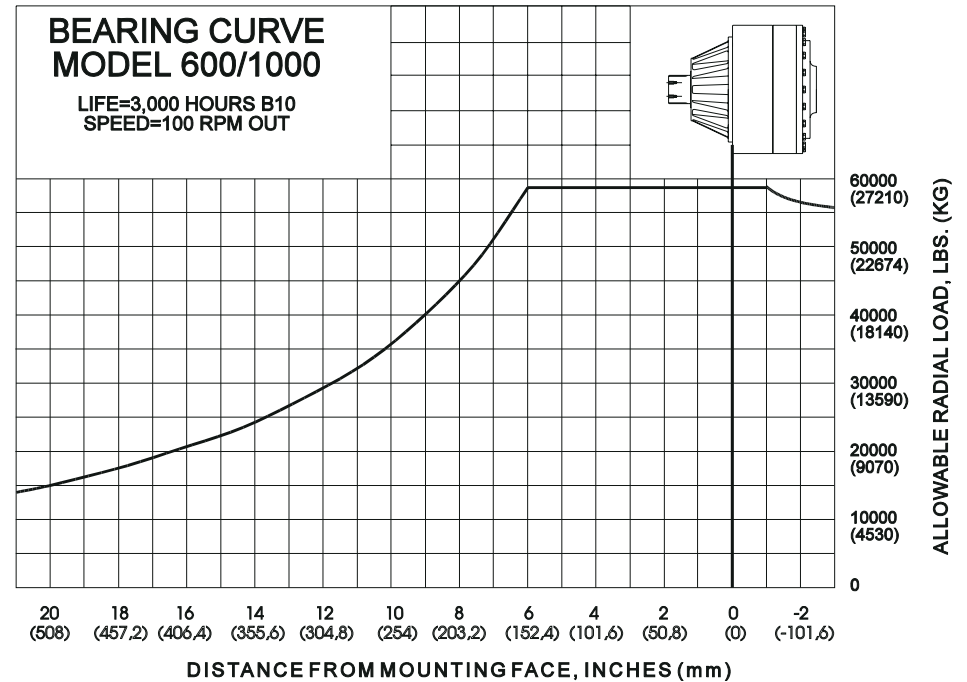
Position	Quantity
Vertical	9.50 gal. / 36 L
Horiz.	5.00 gal / 19 L

All units are shipped dry (without oil).

Spindle Bearing Curve



Shaft Bearing Curve



To adjust for loads and speeds other than those shown on above curve, use this formula:

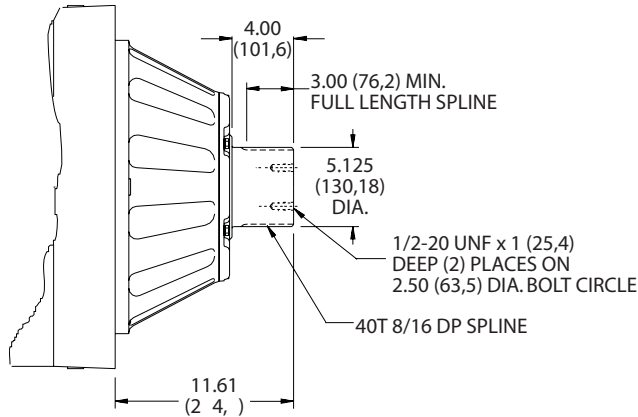
$$\text{Adjusted Life (hours)} = 3000 \left(\frac{100\text{rpm}}{\text{Speed(Adjusted)}} \right) \times \left(\frac{\text{Load (Curve)}}{\text{Load (Adjusted)}} \right)^{10/3}$$

Output Shaft Options Values are shown as "inches (millimeters)"

D1 - 40T 8/16 DP Spline

Adapter Hub Available
 Part Number: 60-004-4042
 Retainer Kit: 60-018-0901

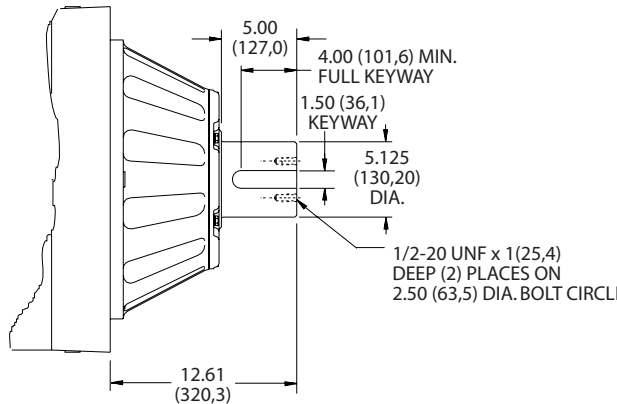
See Hubs & Pinions technical data sheet for details.



S1 - 17" Dia. Spindle
12 x 1.125" - 12 UNF
on 15" dia. Bolt Circle
12.75" dia. Pilot

Consult Eskridge for Image

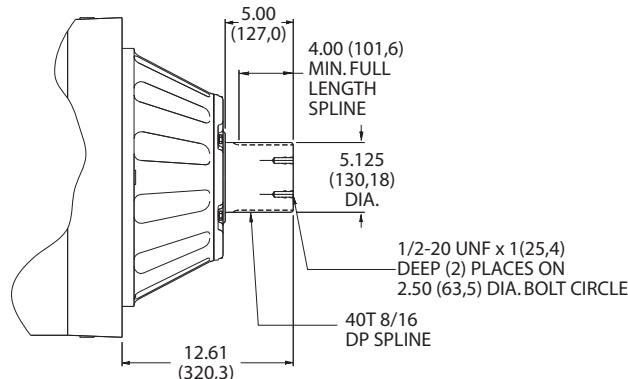
D2 - 5.125" Dia. X 1.50" Key X 5"



S2 - 17" Dia. Spindle
12 x 1.22" Thru-Hole
on 15" dia. Bolt Circle
12.75" dia. Pilot

Consult Eskridge for Image

D3 - 40T 8/16 DP Spline (long)





1000 Shaft/Spindle Drive

Typical Applications: Industrial, Marine or Mobile Equipment

(913) 782-1238 (Tel)
 (913) 782-4206 (Fax)
Sales@EskridgeInc.com
www.EskridgeInc.com
 FORM: PS1000_0308
 Page 6 of 6

Ordering Information

Example Part Number: 1000LAS1D9-76-Z

