



254 Gear Drive

Typical Applications: Industrial, Marine or Mobile Equipment

(913) 782-1238 (Tel)
 (913) 782-4206 (Fax)
Sales@EskridgeInc.com
www.EskridgeInc.com
 FORM: PS254_05_2009
 Page 1 of 7

Performance Ratings

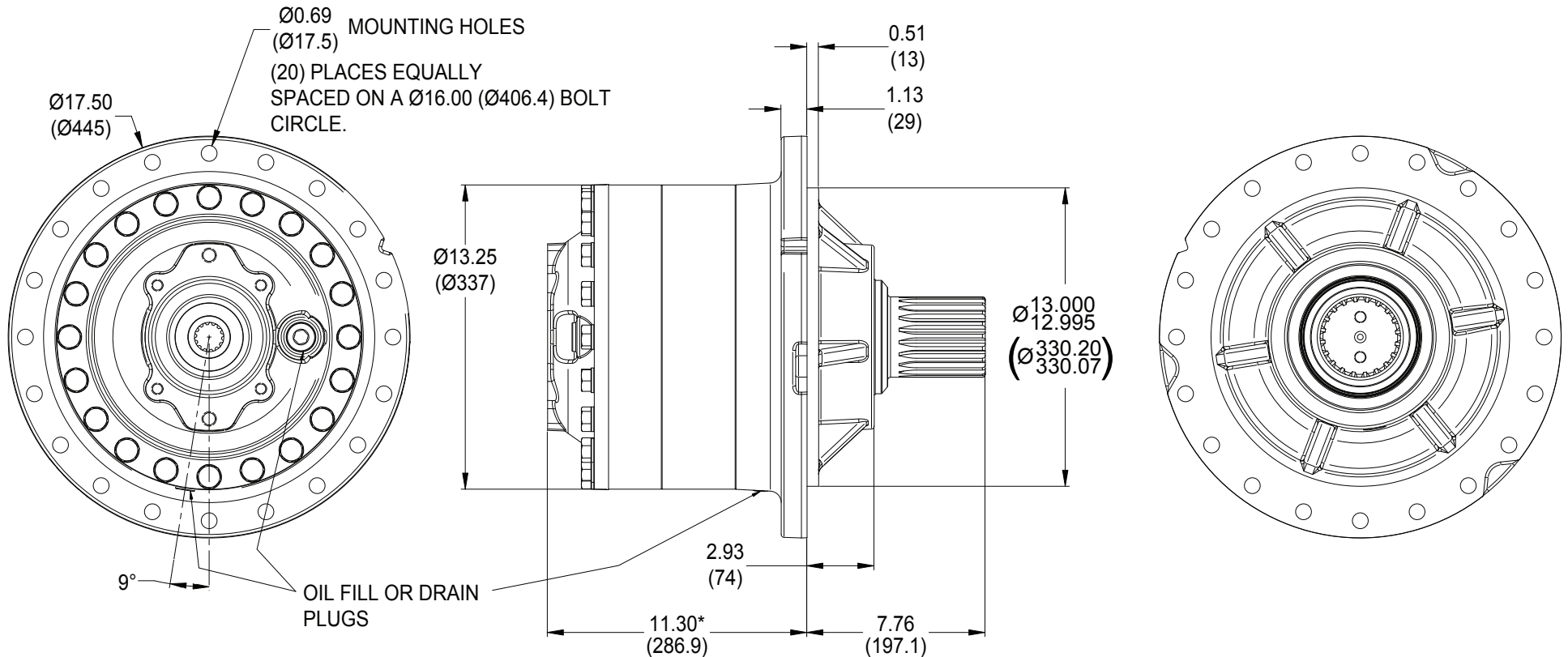
Maximum Intermittent Output Torque	310,000 in-lb (35,000 N-m)
Continuous Output Torque	Consult Eskridge
Peak Torque Rating.....	Consult Eskridge
Maximum Input Speed (No Load).....	3,000 RPM

Consult your Eskridge representative to determine ratings for your specific application or configuration.

General Dimensions for Flanged Gear Drive Mounting (ordering option 'A')

Other options may be available. See ordering information on last page or contact your Eskridge representative for more details.

Values are shown as "inches (millimeters)."



* FOR SAE D MOUNT COVER, THIS DIMENSION IS 11.98 (304.3mm).



254 Gear Drive

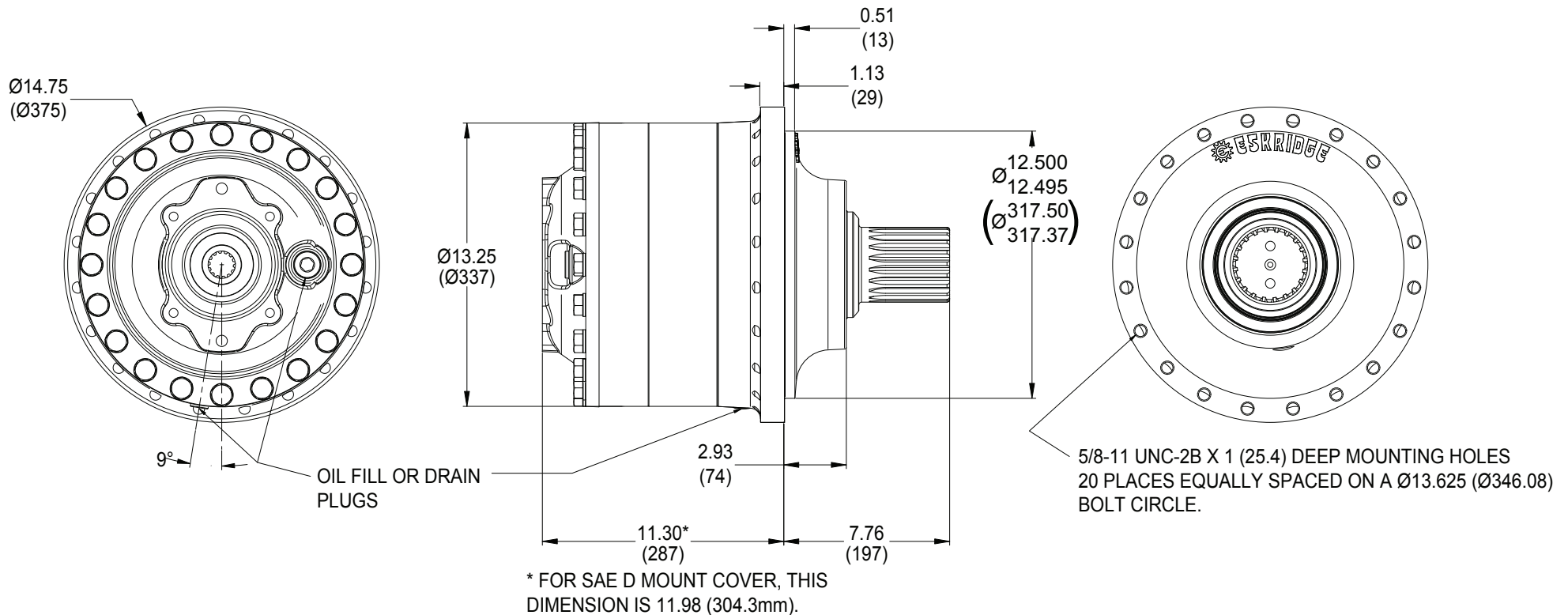
Typical Applications: Industrial, Marine or Mobile Equipment

(913) 782-1238 (Tel)
(913) 782-4206 (Fax)
Sales@EskridgeInc.com
www.EskridgeInc.com
FORM: PS254_05_2009
Page 2 of 7

General Dimensions for Flangeless Gear Drive Mounting (ordering option 'F')

Other options may be available. See ordering information on last page or contact your Eskridge representative for more details.

Values are shown as "inches (millimeters)."





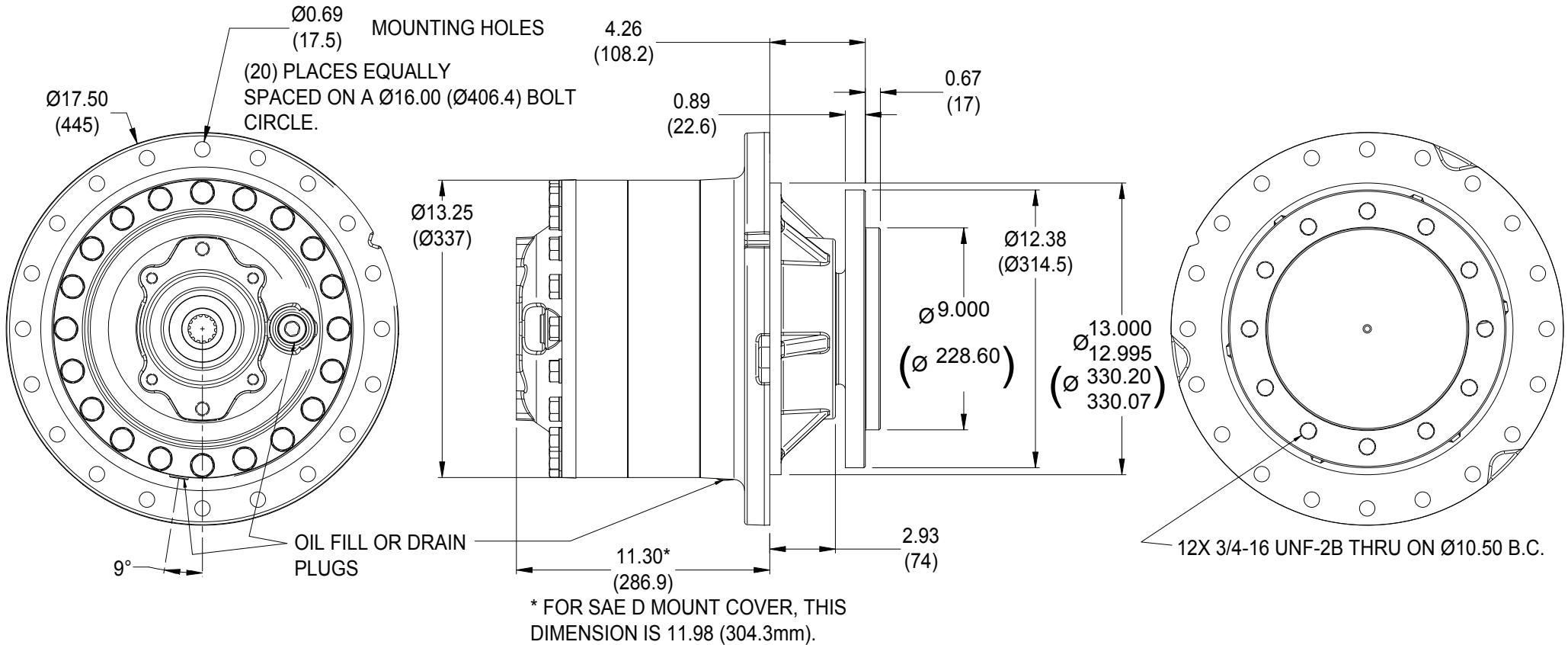
254 Gear Drive

Typical Applications: Industrial, Marine or Mobile Equipment

(913) 782-1238 (Tel)
(913) 782-4206 (Fax)
Sales@EskridgeInc.com
www.EskridgeInc.com
FORM: PS254_05_2009
Page 3 of 7

General Dimensions for Spindle Output Flanged Gear Drive Mounting (ordering option 'A')

Other options may be available. See ordering information on last page or contact your Eskridge representative for more details.
Values are shown as "inches (millimeters)."





254 Gear Drive

Typical Applications: Industrial, Marine or Mobile Equipment

(913) 782-1238 (Tel)
 (913) 782-4206 (Fax)
Sales@EskridgeInc.com
www.EskridgeInc.com
 FORM: PS254_05_2009
 Page 5 of 7

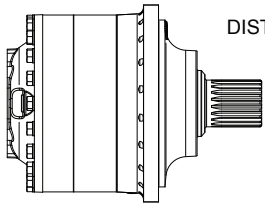
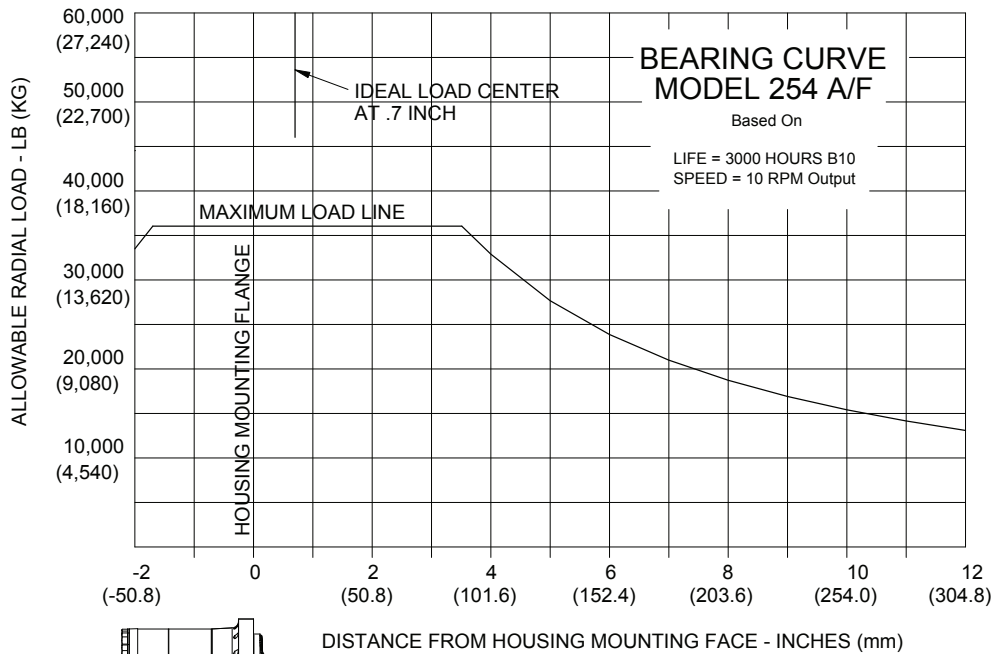
Approximate Unit Weight

360 lbs / 163 kg

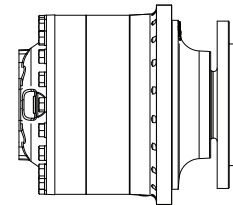
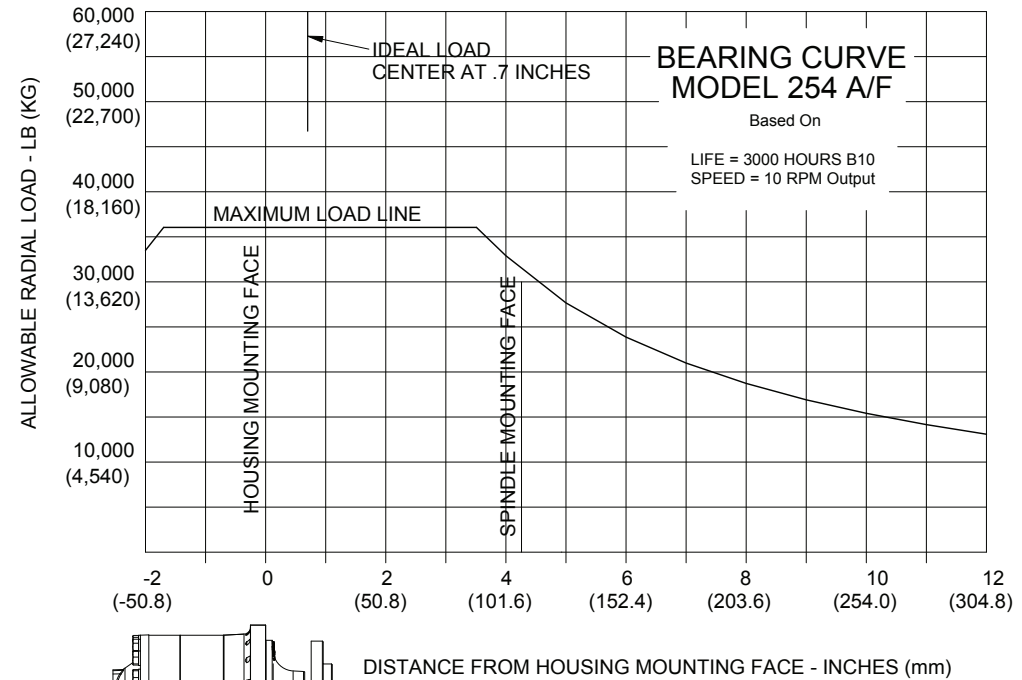
Oil Capacities

Position	Quantity
Horizontal	6.00 pts. / 2.8 L
Vertical	10.00 pts. / 4.7 L

Bearing Curve (Shaft)



Bearing Curve (Spindle)



To adjust for loads and speeds other than those shown on above curve, use this formula:

$$\text{Adjusted Life (hours)} = 3000 \left(\frac{10\text{rpm}}{\text{Speed(Adjusted)}} \right) \times \left(\frac{\text{Load (Curve)}}{\text{Load (Adjusted)}} \right)^{10/3}$$



254 Gear Drive

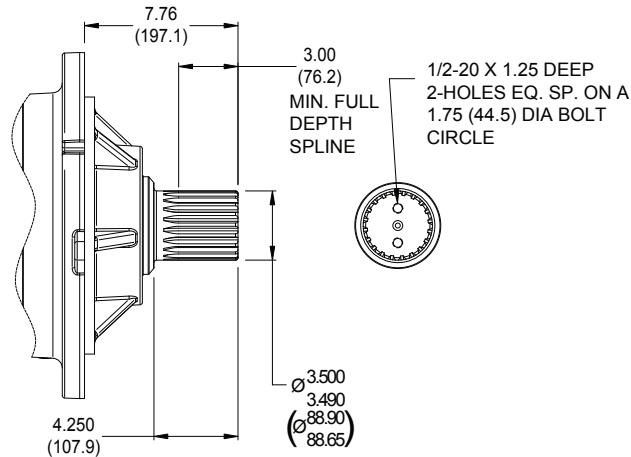
Typical Applications: Industrial, Marine or Mobile Equipment

(913) 782-1238 (Tel)
(913) 782-4206 (Fax)
Sales@EskridgeInc.com
www.EskridgeInc.com
FORM: PS254_05_2009
Page 6 of 7

Output Shaft Options *Values are shown as "inches (millimeters)"*

D1 - 20T 6/12 DP Spline

D1 - 20TOOTH, 6/12 DP, INVOLUTE SPLINE.

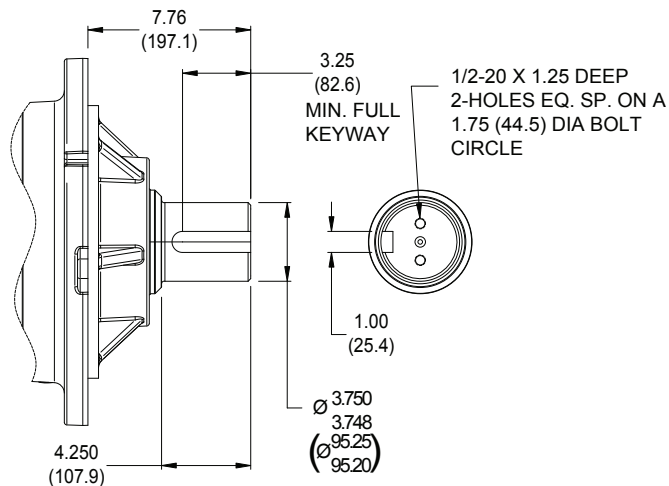


S1 - 12.38" Dia. X
9.00" Dia. Pilot,
(12) 3/4-16 UNF-2B
on 10.50" Dia. BC.

See earlier pages for S1
dimensions.

D2 - 3.75" Dia. X 1.00" Key

D2 - 3.75 inch dia X 1.00 inch keyway.





254 Gear Drive

Typical Applications: Industrial, Marine or Mobile Equipment

(913) 782-1238 (Tel)
(913) 782-4206 (Fax)
Sales@EskridgeInc.com
www.EskridgeInc.com
FORM: PS254_05_2009
Page 7 of 7

Ordering Information

Example Part Number: 254LAD1C4-40-Z

