



252 Gear Drive

Typical Applications: Industrial, Marine or Mobile Equipment

(913) 782-1238 (Tel)
(913) 782-4206 (Fax)
Sales@EskridgeInc.com
www.EskridgeInc.com
FORM: PS252_0310
Page 1 of 6

Performance Ratings

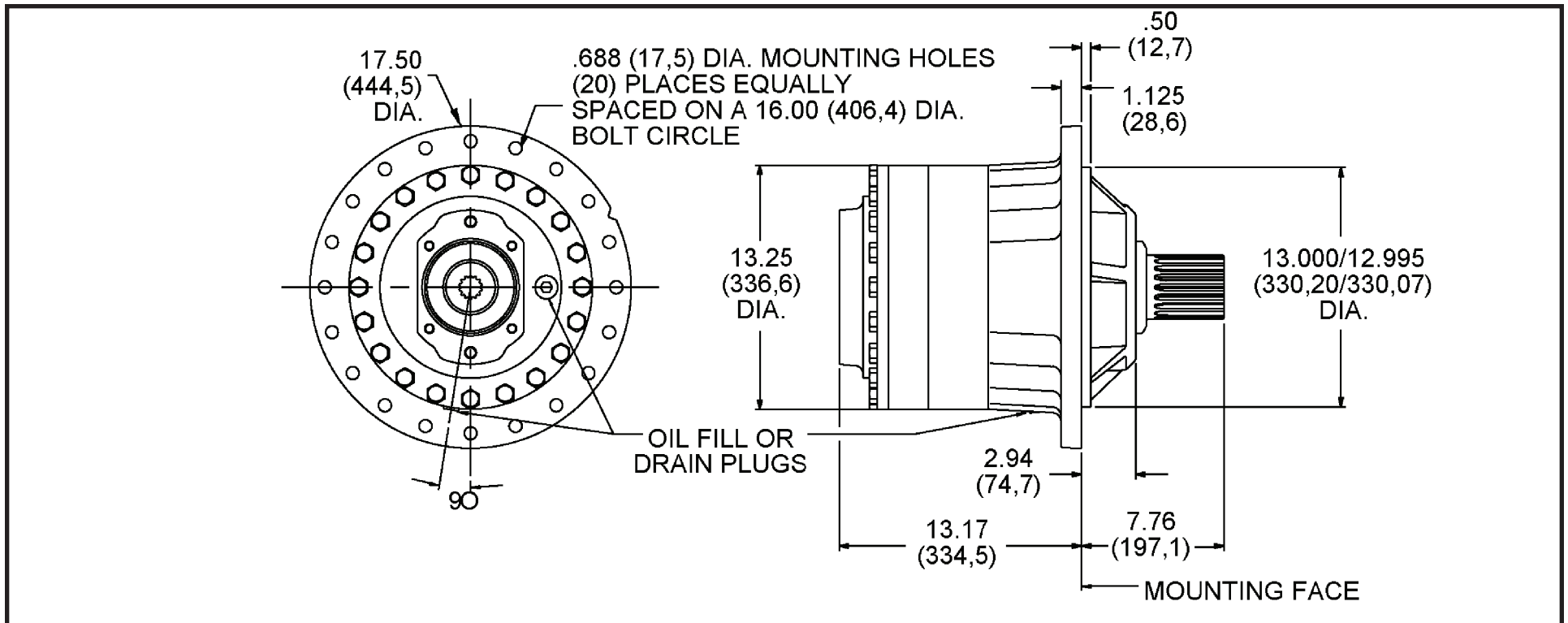
Maximum Intermittent Output Torque	250,000 in-lb (28,250 N-m)
Continuous Output Torque	Consult Eskridge
Peak Torque Rating.....	Consult Eskridge
Maximum Input Speed (No Load).....	3,000 RPM

Consult your Eskridge representative to determine ratings for your specific application or configuration.

General Dimensions for Round Flanged Gear Drive Mounting (ordering option 'A')

Other options may be available. See ordering information on last page or contact your Eskridge representative for more details.

Values are shown as "inches (millimeters)."





252 Gear Drive

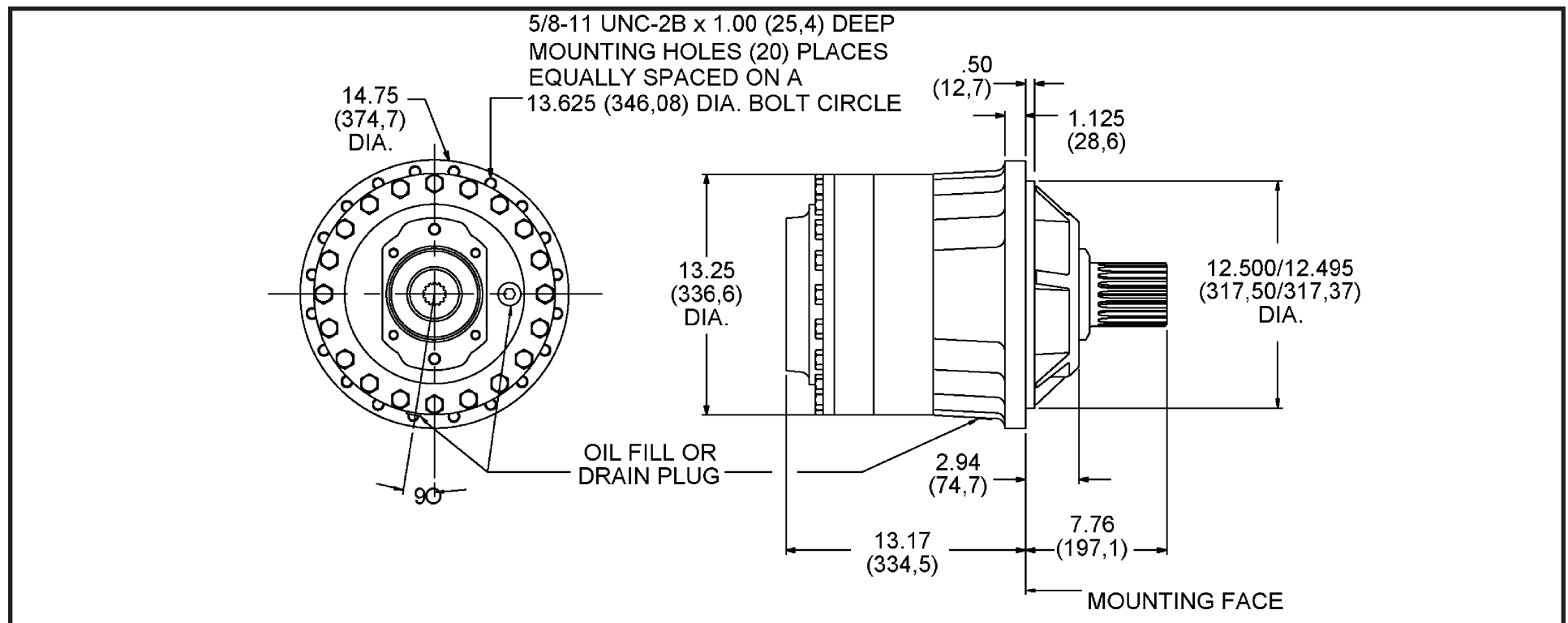
Typical Applications: Industrial, Marine or Mobile Equipment

(913) 782-1238 (Tel)
(913) 782-4206 (Fax)
Sales@EskridgeInc.com
www.EskridgeInc.com
FORM: PS252_0310
Page 2 of 6

General Dimensions for Flangeless Gear Drive Mounting (ordering option 'F')

Other options may be available. See ordering information on last page or contact your Eskridge representative for more details.

Values are shown as "inches (millimeters)."





252 Gear Drive

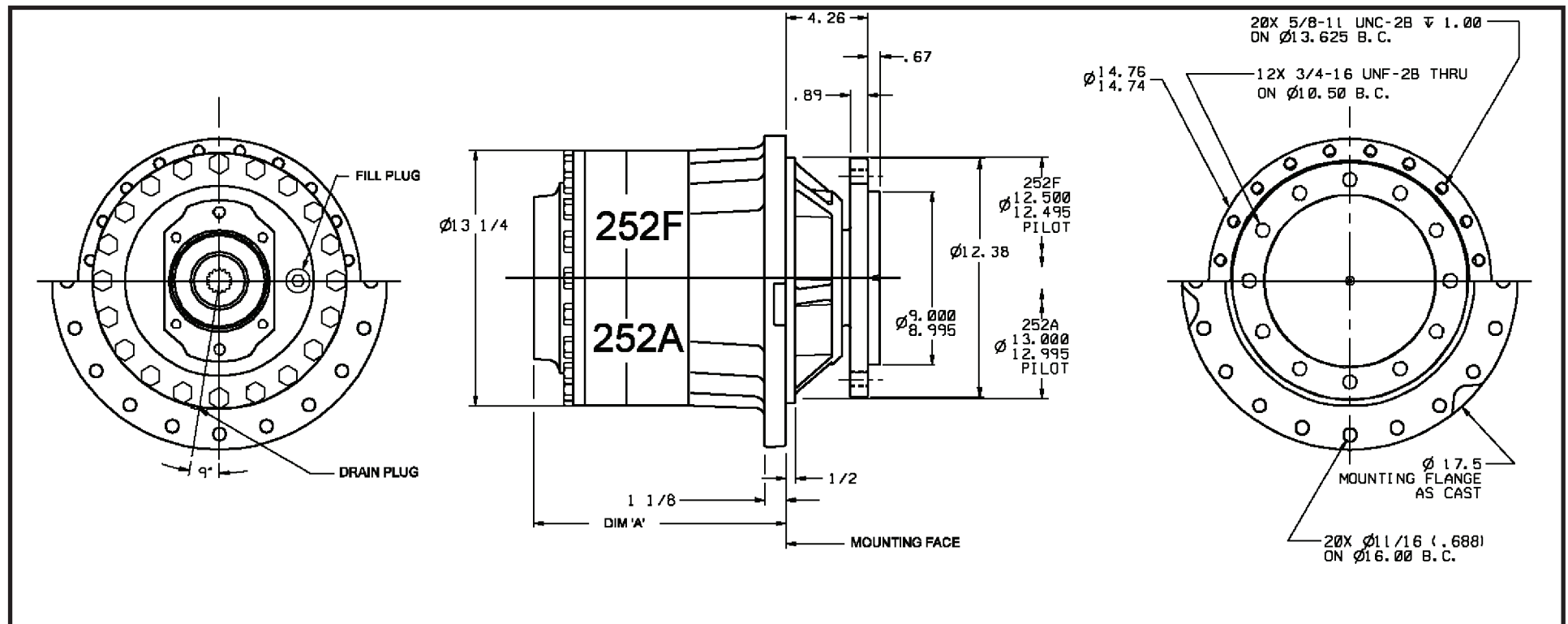
Typical Applications: Industrial, Marine or Mobile Equipment

(913) 782-1238 (Tel)
(913) 782-4206 (Fax)
Sales@EskridgeInc.com
www.EskridgeInc.com
FORM: PS252_0310
Page 3 of 6

General Dimensions for Spindle Output Round Flanged Gear Drive Mounting (ordering option 'A') Flangeless Gear Drive Mounting (ordering option 'F')

Other options may be available. See ordering information on last page or contact your Eskridge representative for more details.

Values are shown as "inches (millimeters)."





252 Gear Drive

Typical Applications: Industrial, Marine or Mobile Equipment

(913) 782-1238 (Tel)
 (913) 782-4206 (Fax)
Sales@EskridgeInc.com
www.EskridgeInc.com
 FORM: PS252_0310
 Page 4 of 6

Approximate Unit Weight

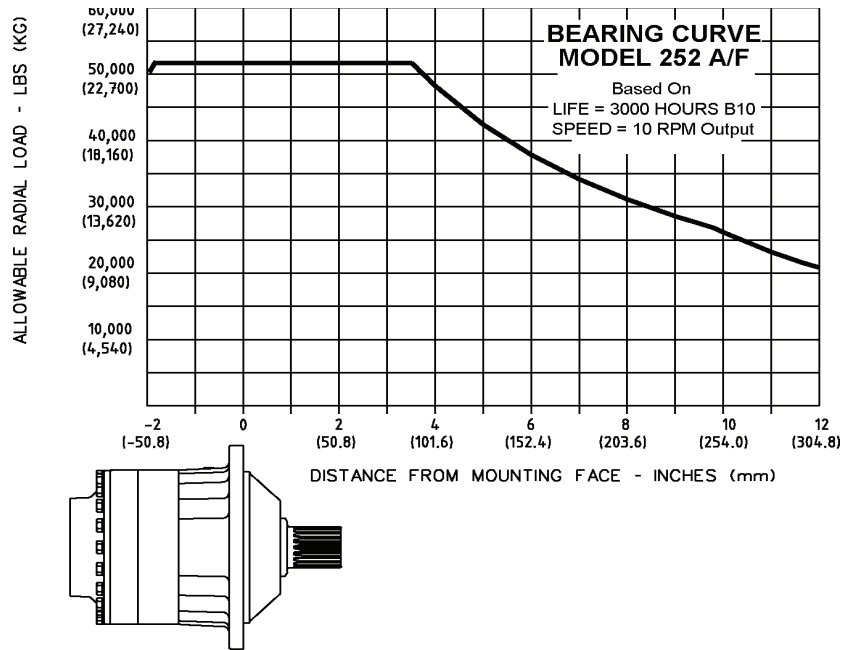
415 lbs / 188 kg

Oil Capacities

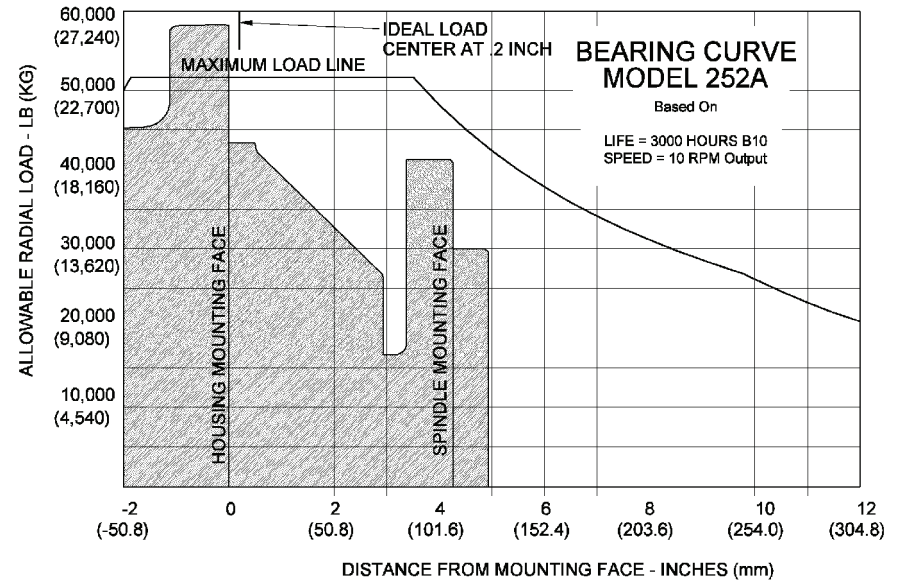
Position	Quantity
Vertical	12.75 pts. / 6.0 L
Horizontal	6.75 pts. / 3.2 L

All units are shipped dry (without oil).

Bearing Curve (Shaft)



Bearing Curve (Spindle)



To adjust for loads and speeds other than those shown on above curve, use this formula:

$$\text{Adjusted Life (hours)} = 3000 \left(\frac{10\text{rpm}}{\text{Speed(Adjusted)}} \right) \times \left(\frac{\text{Load (Curve)}}{\text{Load (Adjusted)}} \right)^{10/3}$$



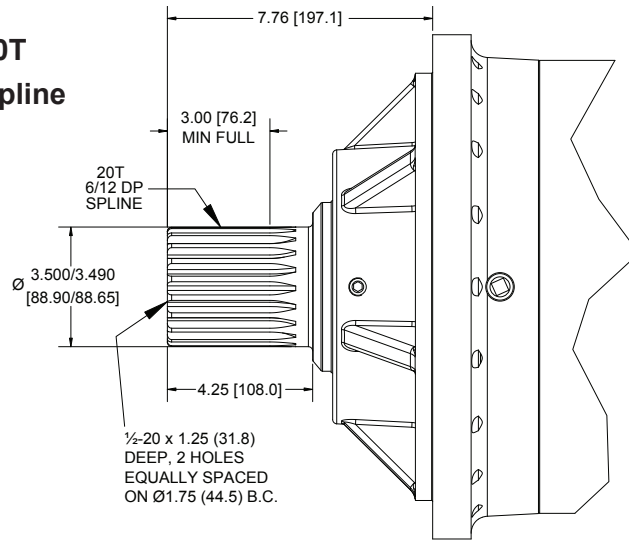
252 Gear Drive

Typical Applications: Industrial, Marine or Mobile Equipment

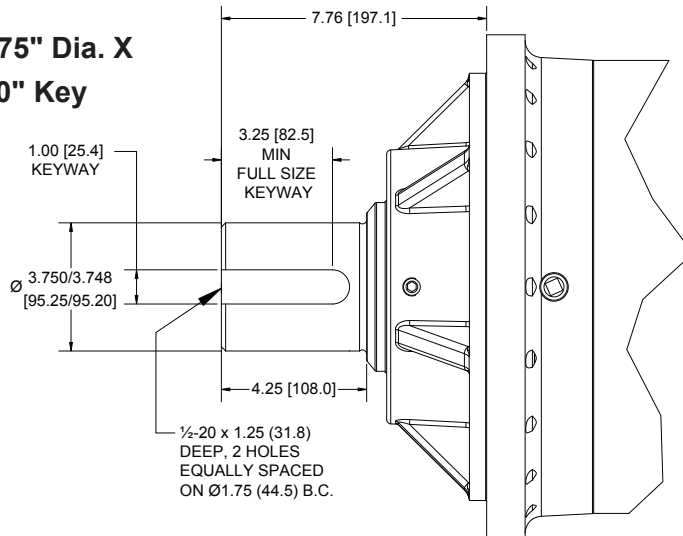
(913) 782-1238 (Tel)
(913) 782-4206 (Fax)
Sales@EskridgeInc.com
www.EskridgeInc.com
FORM: PS252_0310
Page 5 of 6

Output Shaft Options Values are shown as "inches (millimeters)"

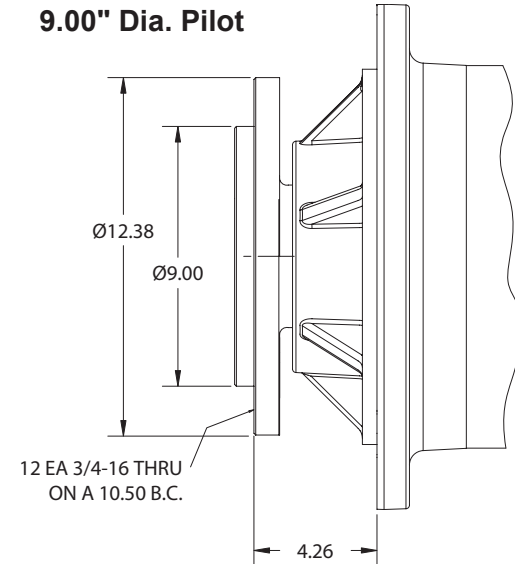
D1 - 20T 6/12 DP Spline



D2 - 3.75" Dia. X 1.00" Key



S1 - Spindle 9.00" Dia. Pilot





252 Gear Drive

Typical Applications: Industrial, Marine or Mobile Equipment

(913) 782-1238 (Tel)
 (913) 782-4206 (Fax)
Sales@EskridgeInc.com
www.EskridgeInc.com
 FORM: PS252_0310
 Page 6 of 6

Ordering Information

Example Part Number: 252AD2C4-51-Z

Model	Shaft Retention	Gear Drive Mounting	Output Shaft	Input Mounting	Input Spline	Ratio	Options
252	[]	[]	[]	[]	[]	[]	[]
	<p>- Retaining Ring <i>(Leave blank for retaining ring)</i></p> <p>L - Load-N-Lock™ Patented shaft retention system <i>See shaft retention technical bulletin for details.</i></p>	<p>A - Round Flange AQ - Quick Eccentric F - Flangeless C - Custom</p>	<p>D1 - 20T 6/12 DP Spline D2 - 3.75" Dia X 1.00" Key S1 - 12.38" Dia., 9.00 Dia. Pilot, (12) 3/4 - 16 UNF - 2B on 10.50" Dia. B.C. <i>S1 Option must be ordered with the L Shaft Retention Option</i></p> <p>C1 - Custom Shaft</p>	<p>A - SAE "A" (2 & Modified 4 Bolt) B - SAE "B" (2 & 4 Bolt) C - SAE "C" (2 & 4 Bolt) D - SAE "D" (4 Bolt) <i>See input mounting technical bulletin for details.</i></p>	<p>3 - SAE 1" 6B Spline <i>(38:1 Only)</i> 4 - 14T 12/24 DP Spline 7 - 17T 12/24 DP Spline <i>(20:1 & 26:1 Only)</i> 9 - 13T 8/16 DP Spline <i>Verify motor shaft compatibility with factory</i></p>	<p><i>Double Planetary</i> 20 - 20.25:1 26 - 25.88:1 30 - 29.58:1 38 - 37.80:1 40 - 40.25:1 51 - 51.43:1</p>	<p>Z - Grease Zerk <i>Required for pinion-up applications</i> R - Rotated Cover B - Boot <i>(only for use with spindle shaft)</i></p>